

4

3

2

1

THIS DRAWING IS UNPUBLISHED.

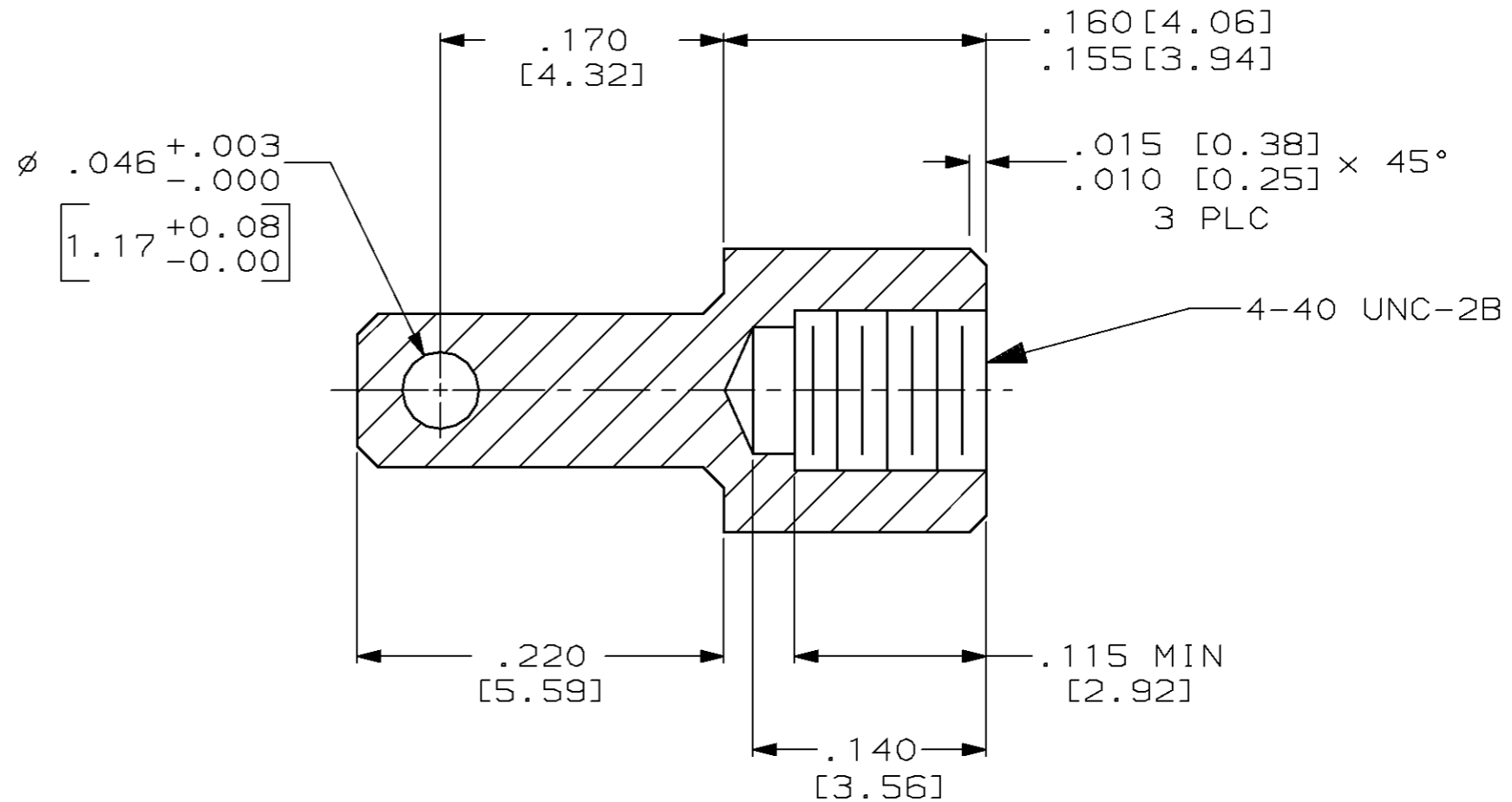
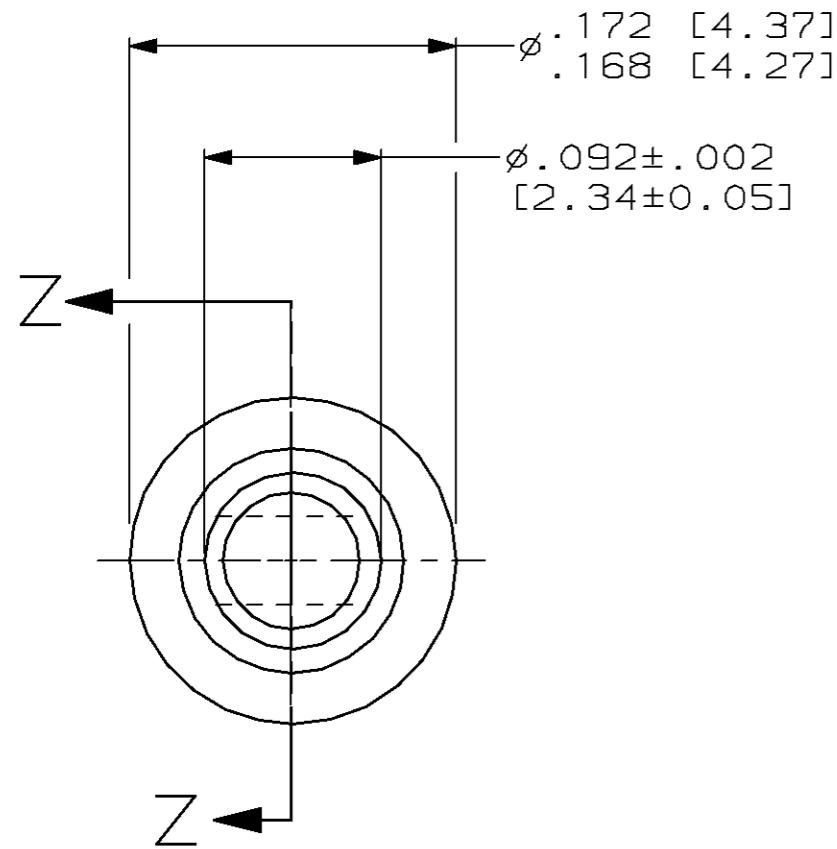
RELEASED FOR PUBLICATION

,19 .

© COPYRIGHT 19


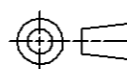
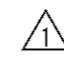

BY AMP INCORPORATED. ALL RIGHTS RESERVED.

LOC	DIST	REVISIONS			
P	LTR	DESCRIPTION	DATE	DWN	APVD
DF	F0	A	REV PER 0600-5687-96	6-96	CT DG



 STAINLESS STEEL PER ASTM-A-582  
 PASSIVATED PER QQ-P-35

443376-1  
PART NUMBER

<small>THIS DRAWING IS A CONTROLLED DOCUMENT FOR AMP INCORPORATED. IT IS SUBJECT TO CHANGE AND THE CONTROLLING ENGINEERING ORGANIZATION SHOULD BE CONTACTED FOR THE LATEST REVISION.</small>		DWN T. ALEXANDER 12-11-95	 AMP Incorporated Harrisburg, PA 17105-3608
DIMENSIONS: INCHES [mm]		CHK D. GUTTER 12-12-95	
		APVD D. GUTTER 12-12-95	NAME MINI-BOX, JACKSCREW, FEMALE, TURNABLE
TOLERANCES UNLESS OTHERWISE SPECIFIED: 0 PLC ±- 1 PLC ±- 2 PLC ±- 3 PLC ±.005 [0.13] 4 PLC ±- ANGLES ±- FINISH		PRODUCT SPEC -	SIZE A3
MATERIAL 		APPLICATION SPEC -	CAGE CODE 00779
		WEIGHT -	DRAWING NO C-443376
CUSTOMER DRAWING		SCALE 10:1	SHEET 1 OF 1 REV A